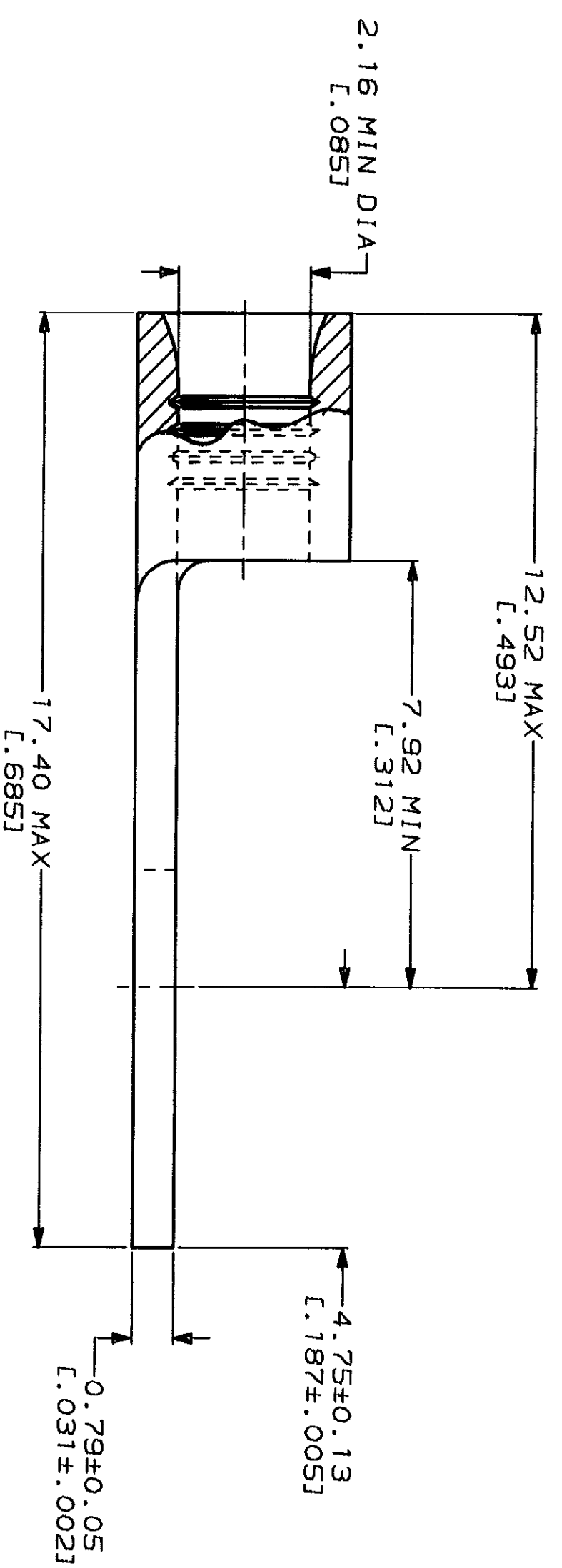


METRIC
 DIMENSIONS LISTED IN mm [INCHES]

AMP WIRE RANGE	UL E13288 Listed
16-14 AWG SOLID OR STRANDED	16-14 AWG SOLID OR STRANDED P/N 34128 & 8-34128-1 & 8-34128-5 ONLY

LR7189 Certified	MILITARY P/N AND CLASS
16-14 AWG SOLID OR STRANDED P/N 34128 & 8-34128-1 & 8-34128-5 ONLY	NOT APPLICABLE



QUANTITY	PACKAGE TYPE	MAX OPERATING TEMPERATURE	FINISH	PART NO
50	LOOSE PIECE BAG 34128	170°C	TIN PLATE 0.00254L.000100] MIN THK PER MIL-T-10727	8-34128-5
100	LOOSE PIECE BOX 34128	170°C	TIN PLATE 0.00254L.000100] MIN THK PER MIL-T-10727	8-34128-1
---	LOOSE PIECE	343°C	NICKEL PLATE 0.000762L.000030] MIN THK PER QQ-N-290	34128-1
---	LOOSE PIECE	170°C	TIN PLATE 0.00254L.000100] MIN THK PER MIL-T-10727	34128

AMP INCORPORATED
 CUSTOMER SERVICE SYSTEMS

FOR ADDITIONAL PRODUCT INFORMATION OR COPIES OF DRAWINGS AND TECHNICAL DOCUMENTS
 PRODUCT INFORMATION CENTER
 1-800-522-6752

FOR APPLICATION TOOLING INFORMATION
 TOOLING ASSISTANCE CENTER
 1-800-722-1111

FOR ORDER ENTRY
 1-800-526-5142

MAX RECOMMENDED OPERATING TEMPERATURE: SEE TABLE
 VOLTAGE RATING: NOT APPLICABLE
 WIRE CROSS SECTIONAL AREA RANGE: 1.04-2.62mm² [2.050-5.180] CIR MILS SOLID OR STRANDED

DO NOT SCALE PRINT. DIMENSIONS SPECIFIED IN mm [INCHES]
 TOLERANCES ON:
 1 DIMENSIONS IN mm ± .10
 2 PLC DEC ± .05
 3 PLC DEC ± .02
 ANGLES ± .5°
 MATERIAL: COPPER PER ASTM B-152 ANNEALED

FINISH: SEE TABLE
 APPLICATION SPEC: SEE TABLE
 WEIGHT: -

AMP Incorporated
 Harrisburg, PA 17105-3608

TERMINAL, SPADE
 TONGUE, SOLISTRAND™